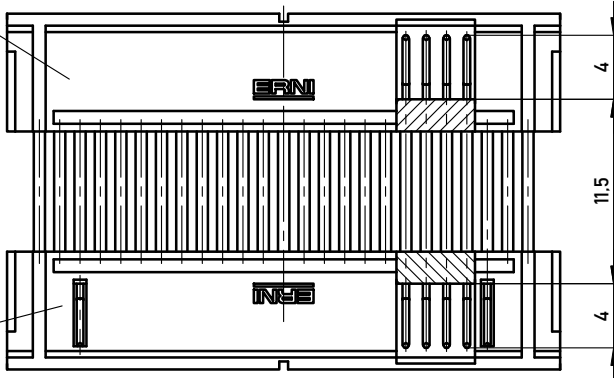
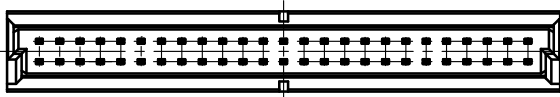
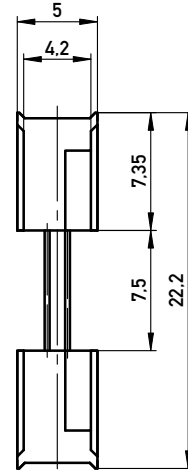


ohne Verriegelung
without interlocking

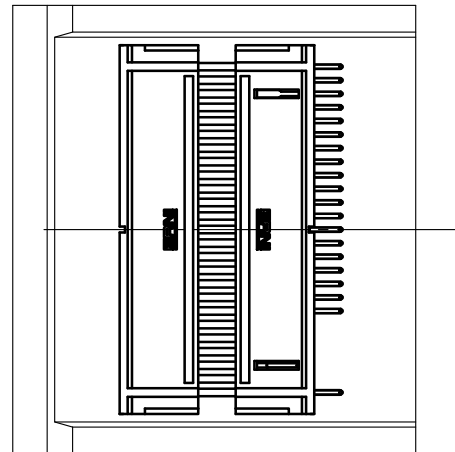
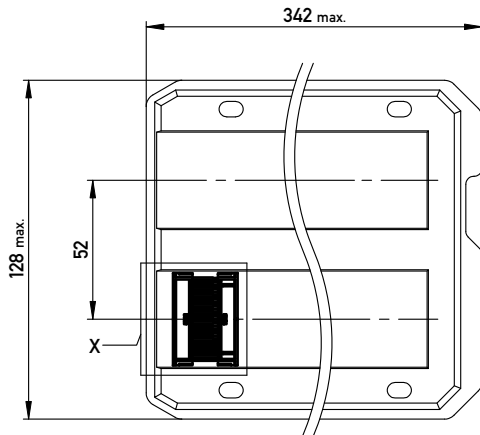


mit Verriegelung
with interlocking



Verpackt in Tray -tray packaging
Verpackungseinheit 28 Stück -packaging unit 28

Einzelheit X (M 2:1)
detail X



Adapterstück für board-to-board Abstand von 24mm (beidseitig verbaut mit Federleiste: 154807, Low Profile)
Adapter for board-to-board height 24mm (in combination with two female connectors: 154807, low profile)

| | | | | |
|--|---|--------------------------|---|---------|
| Information: All rights reserved. Only for Information. To ensure that this is the latest version of this drawing, please contact one of the ERNI companies before using. | Tolerances | All Dimensions in mm | Scale | 3:1 |
| | Subject to modification without prior notice. Drawing will not be updated. | | Designation 1,27 DRC Adapterstück BTB 24mm <i>50-polig</i> | |
| E01 | 18.06.2008 | www.ERNI.com | 354309 | |
| Index | Date | | | |
| | | | | I A3 |

Copyright by ERNI GmbH
Proprietary notice pursuant to ISO 16016 to be observed.